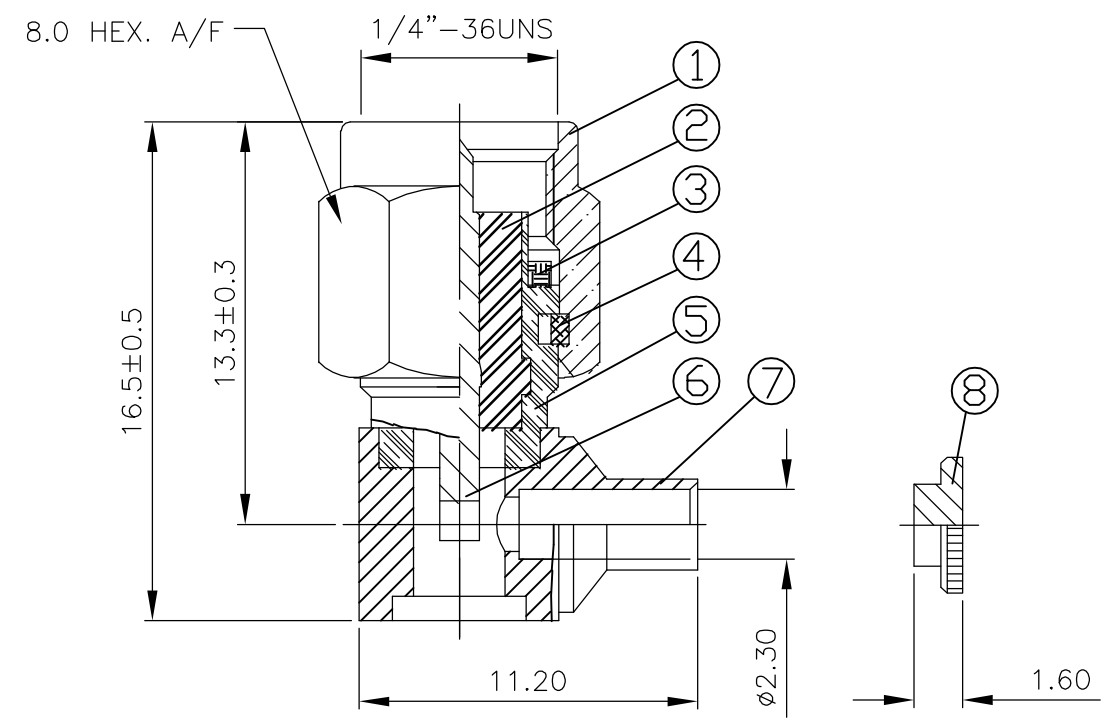
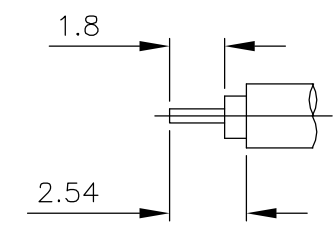


THIS DRAWING IS UNPUBLISHED. RELEASED FOR PUBLICATION APRIL, 2004.  
 © COPYRIGHT 2004 BY TYCO ELECTRONICS CORPORATION. ALL RIGHTS RESERVED.

LOC	DIST	REVISIONS					
		P	LTR	DESCRIPTION	DATE	DWN	APVD
E	B		A	EBD0-0035-03	09FEB04	RS	FWK

- NOTES:
- 1 SINGLE PACK IN ACCORDANCE WITH SPEC 107-3275
  - 2 100 TRAY PACK IN ACCORDANCE WITH SPEC 107-3275
  - 3 0.08µm Au PLATING OVER 1.27µm Ni PLATING
  - 4 0.08µm Au PLATING OVER 1.27µm Ni PLATING OVER 0.76µm Cu PLATING
  - 5 0.76µm Au PLATING OVER 1.27µm Ni PLATING OVER 0.76µm Cu PLATING
  - 6 PASSIVATED (GOLD PLATED CABLE ENTRY)
  - 7 FOR TECHNICAL DATA REFER TO YOUR LOCAL TYCO ELECTRONICS SALES OFFICE
  - 8 ALL DIMENSIONS ARE NOMINAL FOR REFERENCE ONLY UNLESS OTHERWISE STATED

RECOMMENDED  
CABLE STRIPPING DIM'S



QTY	PLC	PLC	PLC	PLC	PLC	PLC	MATERIAL	DESCRIPTION	ITEM
1	1	-	-	-	-	-	BRASS	4 CAP	8
-	-	1	1	-	-	-	STAINLESS STEEL	6 CAP	8
-	-	-	-	1	1	-	STAINLESS STEEL	3 CAP	8
1	1	-	-	-	-	-	BRASS	4 CHASSIS	7
-	-	1	1	-	-	-	STAINLESS STEEL	6 CHASSIS	7
-	-	-	-	1	1	-	STAINLESS STEEL	3 CHASSIS	7
1	1	1	1	1	1	1	BRASS	5 CENTER CONTACT	6
1	1	-	-	-	-	-	BRASS	4 BODY	5
-	-	1	1	-	-	-	STAINLESS STEEL	6 BODY	5
-	-	-	-	1	1	-	STAINLESS STEEL	3 BODY	5
1	1	1	1	1	1	1	STAINLESS STEEL	CIRCLIP	4
1	1	1	1	1	1	1	SILICON	GASKET	3
1	1	1	1	1	1	1	PTFE	INSULATOR	2
1	1	-	-	-	-	-	BRASS	4 SHELL	1
-	-	1	1	-	-	-	STAINLESS STEEL	6 SHELL	1
-	-	-	-	1	1	-	STAINLESS STEEL	3 SHELL	1
3--1	3--0	2--1	2--0	1--1	1--0		MATERIAL	DESCRIPTION	ITEM
2	1	2	1	2	1				

THIS DRAWING IS A CONTROLLED DOCUMENT.		DWN R.SMITH 09FEB04	Tyco Electronics Corporation Bideford, UK, EX39 4HE		
DIMENSIONS: mm		CHK S.PARLOW 09FEB04			
TOLERANCES UNLESS OTHERWISE SPECIFIED:		APVD F.WHEELER-KING 09FEB04	NAME SMA RIGHT ANGLE PLUG DIRECT SOLDER CAPTIVE CONTACT RG405/U		
0 PLC ± -		PRODUCT SPEC 108-3460	SIZE A3		
1 PLC ± -		APPLICATION SPEC 411-3276	CAGE CODE 00779		
2 PLC ± -		WEIGHT -	DRAWING NO C-1478906		
3 PLC ± -		MATERIAL SEE TABLE	RESTRICTED TO -		
4 PLC ± -			SCALE 1:1		
ANGLES ± -		SHEET 1 OF 1			
FINISH -		REV A			
CUSTOMER DRAWING					